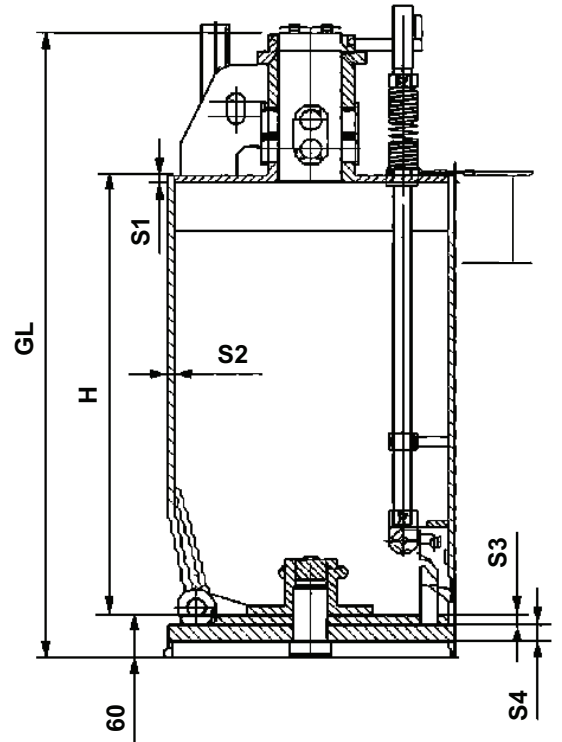


Heavy-Duty Construction	Engineered for demanding piling and foundation drilling applications.
Large Diameter Capacity	Suitable for drilling diameters up to 5000 mm.
Multiple Bucket Configurations	Available in double bottom double cut and single bottom single cut designs.
Barrel Options	Offered with cylindrical or conical barrel configurations to suit varying ground conditions.
High Wear Resistance	Manufactured using thick high-strength steel plates for improved durability and service life.
Compatible with Major Rigs	Suitable for Bauer, IMT, Soilmec, Casagrande, Mait, XCMG and other piling rigs.
Customisable Kelly Box Sizes	Available with multiple Kelly box configurations to suit different machine requirements.
Efficient Soil Clean-Out	Designed for fast and effective removal of loose material from bored piles.



Cutting Diameter	Shell Diameter	Height	Bucket Height	Upper Plate Thickness	Shell Thickness	Base Plate Thickness	Cutting Plate Thickness	Weight
(mm)	(mm)	GL (mm)	H (mm)	S1 (mm)	S2 (mm)	S3 (mm)	S4 (mm)	Kg
600	540	1830	1200	20	16	40	50	780
700	640	1830	1200	20	16	40	50	900
800	740	1830	1200	20	16	40	50	1040
900	800	1830	1200	20	16	40	50	1180
1000	900	1830	1200	20	16	40	50	1310
1100	1000	1830	1200	20	16	40	50	1450
1200	1100	1830	1200	20	16	40	50	1650
1300	1200	1830	1200	20	16	40	50	1810
1400	1300	1830	1200	20	16	40	50	1920
1500	1400	1830	1200	20	16	40	50	2190
1600	1500	1830	1200	20	16	40	50	2420
1700	1600	1830	1200	20	16	40	50	2680
1800	1700	1630	1000	20	20	50	50	3120
1900	1800	1430	800	20	20	50	50	3320
2000	1900	1430	800	20	20	50	50	3630
2100	2000	1430	800	25	20	50	50	3920
2200	2100	1430	800	25	20	50	50	4420
2500	2400	1430	800	25	20	40 (Box-shape frame)	40 (Box-shape frame)	5700