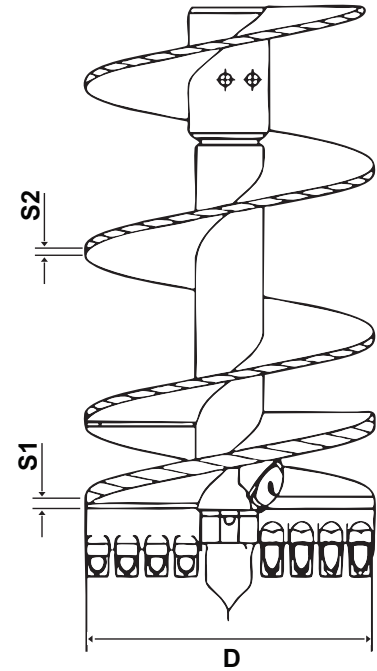


OD Range	300–1000mm
Bit Options	CFA starter available with clay bits or rock bits
Joint Options	Hexagonal, octagonal, or other customised joint configurations available
Rig Compatibility	Compatible with most rotary drilling rigs including Bauer, IMT, Soilmec, Casagrande, Mait, XCMG, and more



Cutting Diameter	Flight Diameter	Flight Thickness	Flight Thickness	Weight
(mm)	D (mm)	S1 (mm)	S2 (mm)	kg
400	340	30	16	386
500	400	30	16	489
600	500	40	20	592
800	500	40	20	695
1000	600	40	20	465

Can't find what you're looking for?

Get in touch with our team and send through your specifications for a tailored solution.